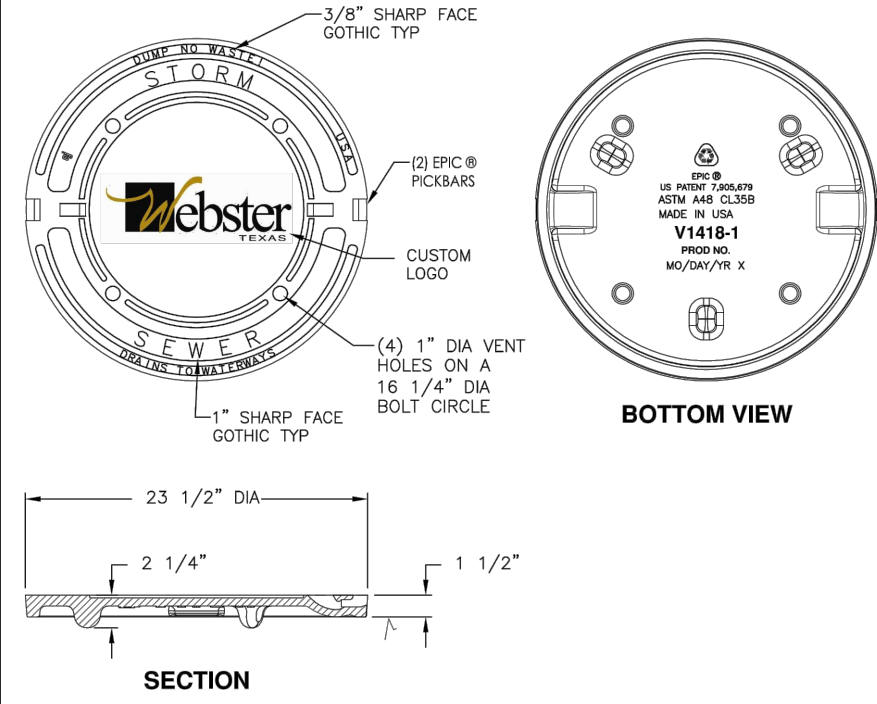


Design Features

- Material: Gray Iron (CL35B)
- Design Load: Heavy Duty
- Coating: Undipped
- Certification: ASTM A48
- Country of Origin: USA

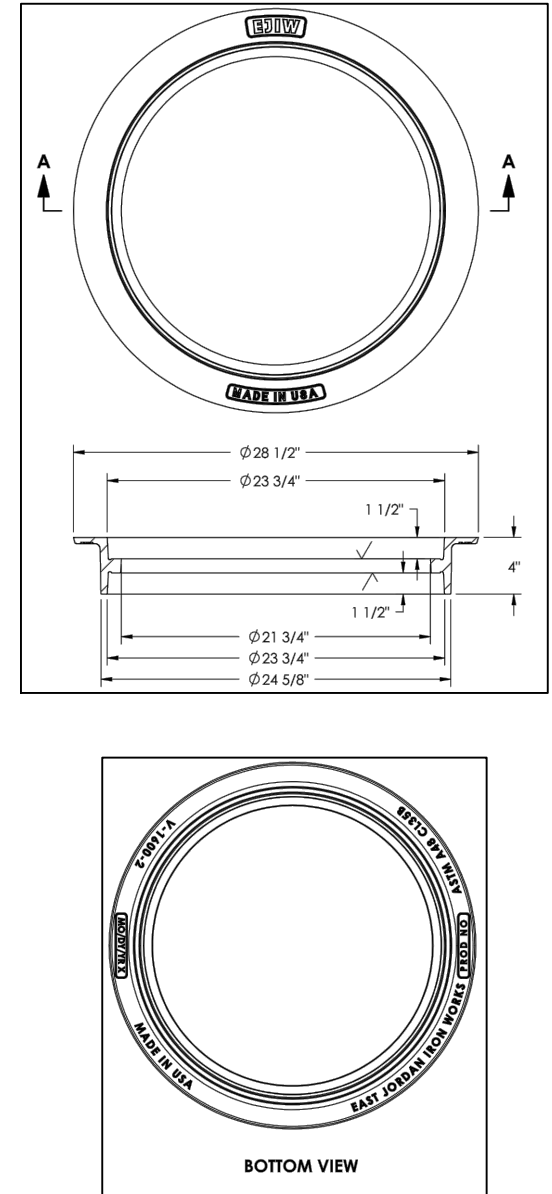
V1418-1 Cover



Design Features

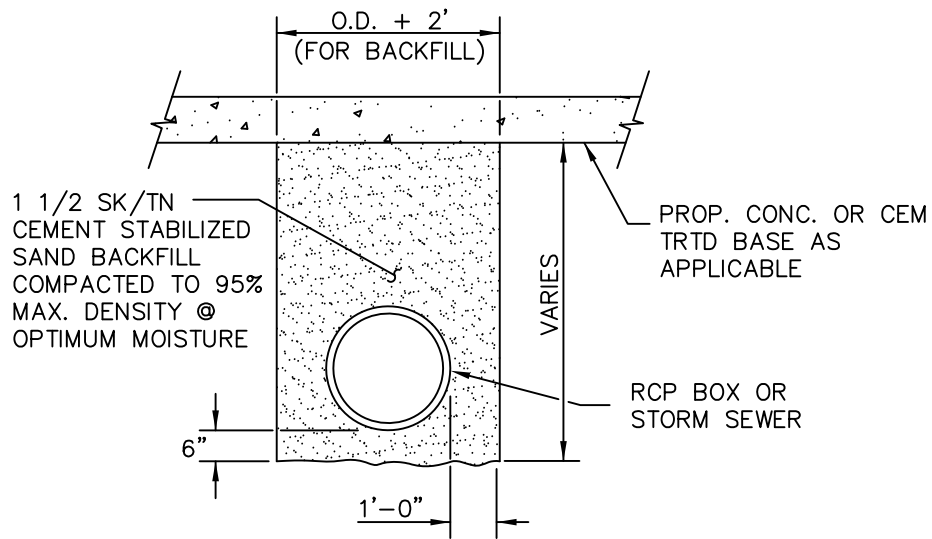
- Materials: Gray Iron (CL35B)
- Design Load: Heavy Duty
- Coating: Undipped
- √ Designates Machined Surface
- Estimated weight: 125 lbs.

V1600-2 Frame

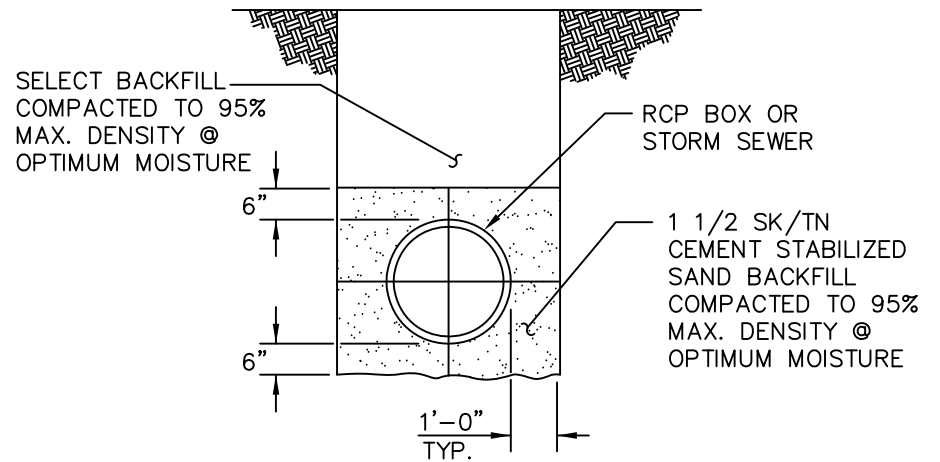


STANDARD MANHOLE 23" FRAME AND COVER DETAIL
OR APPROVED EQUIVALENT
City of Webster, Texas

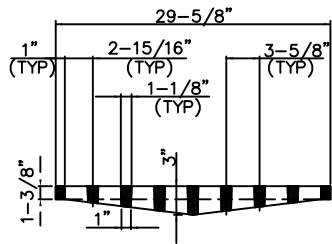
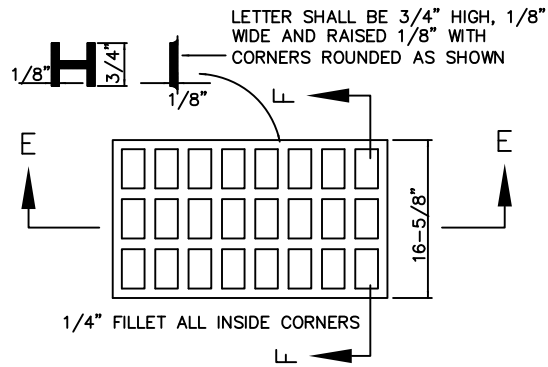
N.T.S.	STORM APPENDIX 2
	Prepared by: GIS Sect.
	Checked by: S. Hicks, P.E.
	Date: 07/07/2014



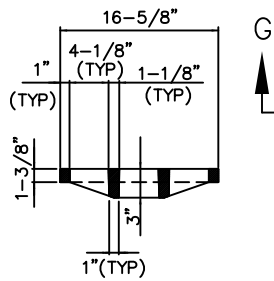
PAVED AREA



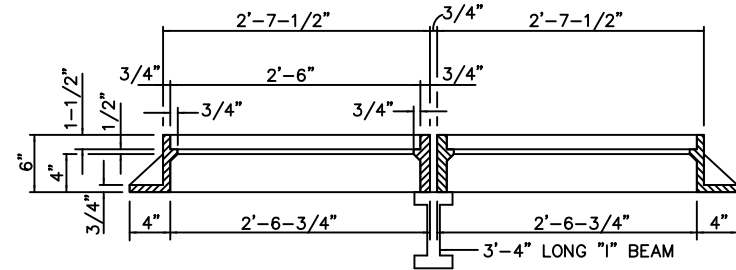
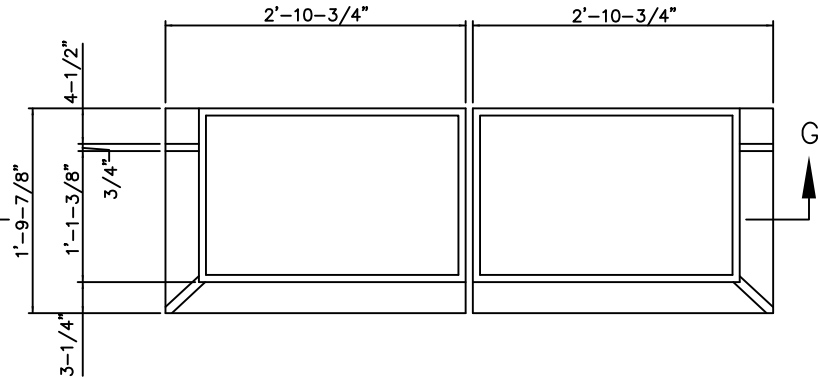
GRADED AREA



SECTION E-E

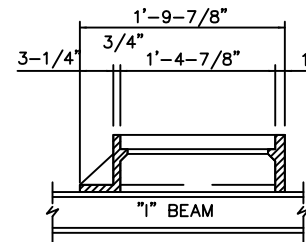


SECTION F-F

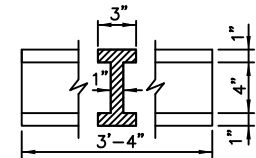


SECTION G-G

TYPE "B" AND "BB" GRATE



HALF SECTION



"1" BEAM
(CAST IRON)

TYPE "BB" FRAME & "1" BEAM

STANDARD TYPE "B" & "BB" GRATE AND
TYPE "BB" FRAME & "1" BEAM DETAILS
City of Webster, Texas

	N.T.S.	STORM APPENDIX 5
		Prepared by: GIS Div.
		Checked by: S. Hicks, P.E.
		Date: 04/04/2011

